

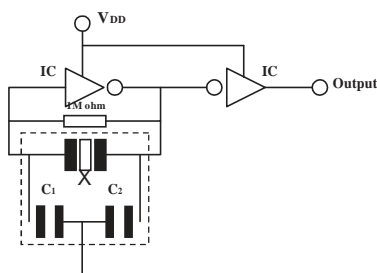


SMD Ceramic Resonator - ZTTC series

Specifications

Parameters	Standard	Options
Frequency range	2,000 MHz - 50,000 MHz	
Operating temperature	-20°C ~ +80°C	Other
Storage temperature	-40°C ~ +85°C	
Frequency tolerance at 25°C	± 0,5 %	Other
Frequency stability over temp. range	± 0,3 %	Other
Aging over 10 years	± 0,3 %	
Insulation resistance	500 Mohm min at 10 VDC	
Marking	Frequency	
Package	ZTTCC 2,0 - 8,0 MHz	
	ZTTCS 8,0 - 50,0 MHz	
	ZTTCR 4,0 - 8,0 MHz	
	ZTTCV 8,0 - 50,0 MHz	
	ZTTCW 20,0 - 70,0 MHz	

Testcircuit

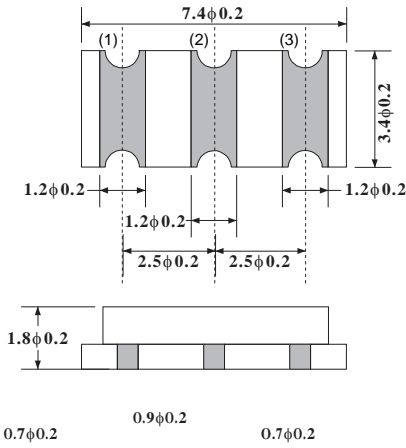


- 1 : input
- 2 : Ground
- 3 : Output

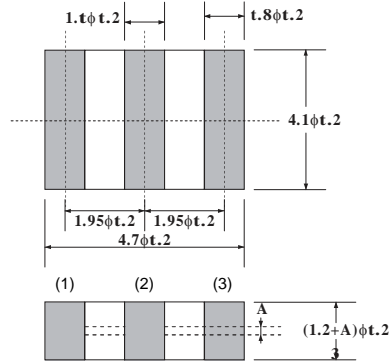
SMD Ceramic Resonator - ZTTC series

Drawing

ZTTC

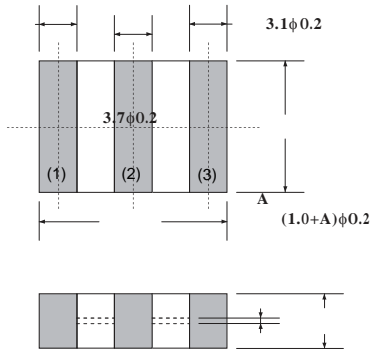


ZTTCs



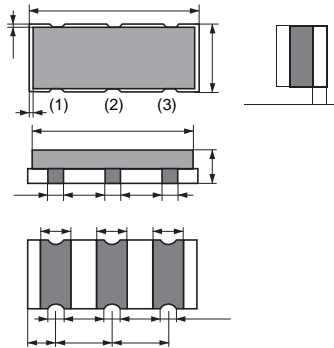
Note : A Stands for thickness of the ceramic element, which varies with the frequency. The range to 0.7mm

ZTTCV

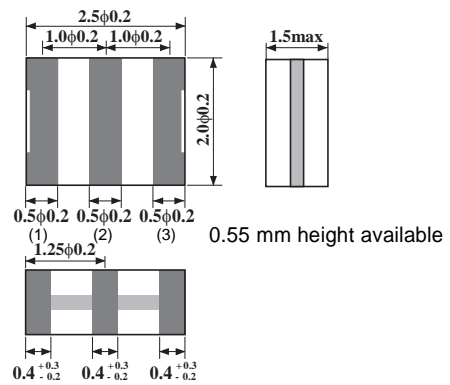


Note : A Stands for thickness of the ceramic element, which varies with the frequency. The range of the thickness is 0.1 to 0.7mm

ZTTCR



ZTTCW



0.55 mm height available