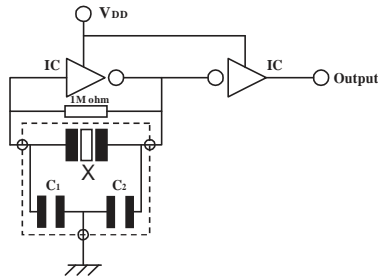


Ceramic Resonator - ZTTA-series

Specifications

Parameters	Standard	Options
Frequency range	1,800 MHz - 50,000 MHz	
Operating temperature	-20°C ~ +80°C	Other
Storage temperature	-40°C ~ +85°C	
Frequency tolerance at 25°C	± 0,5 %	Other
Frequency stability over temp. range	± 0,3 %	Other
Aging over 10 years	± 0,3 %	
Insulation resistance	500 Mohm min at 10 VDC	
Marking	Frequency	
Testcircuit		



- 1 : input
- 2 : Ground
- 3 : Output

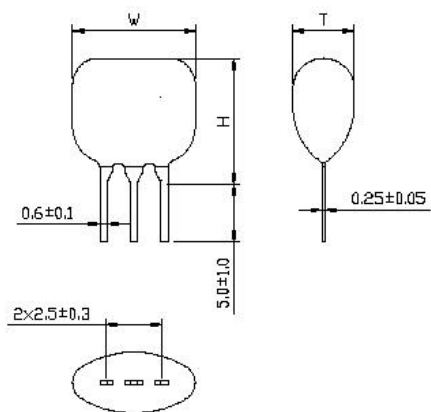
Ceramic Resonator - ZTTA-series

Drawing

Package

1,8 - 13,0 MHz : ZTTAC 3pin with built-in capacitor

13 - 50 MHz : ZTTA 3pin with built-in capacitor



Code	W	H	T
ZTAC	10.0	7.5	5.0
ZTA	10.0	10.0	5.0