

X53 CRYSTAL



Specifications

Parameters	Standard	Options
Frequency range	9,000 MHz - 270,000 MHz	
Frequency stability	Please specify	
Overall		
Initial at 25°C		
Temperature		
Aging first year		
Aging over Years		
Operating temperature	-10° C ~ +60°C	-20°C ~ +70°C -40°C ~ +85°C
Storage temperature	-40°C ~ +85°C	-55°C ~ +125°C
Load capacitance Cl	8 pF ~ 120 pF or serie	
Equivalent series resistance ESR	see ESR table	
Shunt capacity Co	< 7 pF	
Aging	± 2 ppm /first year max.	
Insulation resistance	500 Mohms minimum at 100 VDC	
Drive level	0,01 to 100 uW 10uW recommended	
Marking	Freq + Week +Year	

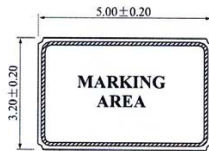
ESR table

Frequency range	Mode	ESR (ohms)
9,000 MHz - 9,999 MHz	Fund.	70 max.
10,000 MHz - 11,999 MHz	Fund.	60 max.
12,000 MHz - 14,999 MHz	Fund.	60 max.
15,000 MHz - 19,999 MHz	Fund.	50 max.
20,000 MHz - 54,000 MHz	Fund.	40 max.
54,100 MHz - 170,000 MHz	3 rd	90 max.
170,100 MHz - 270,000 MHz	5 th	150 max.

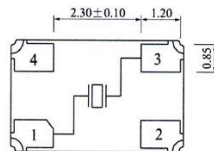
X53 CRYSTAL

Drawing

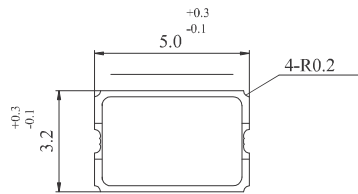
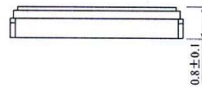
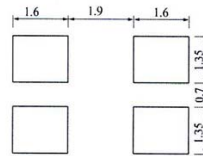
Package X53 4pad & X53 2pad



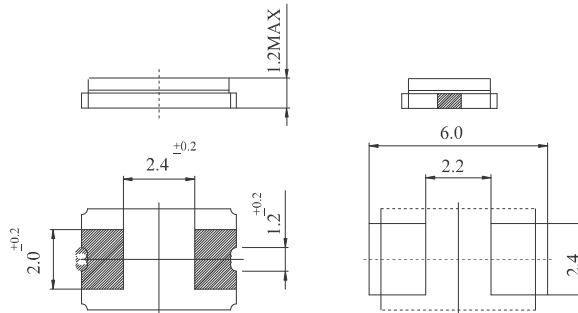
Top View



Recommended Solder Pattern



UNIT : mm



Recommended soldering pattern.