

SX7LV OSCILLATOR

Specifications

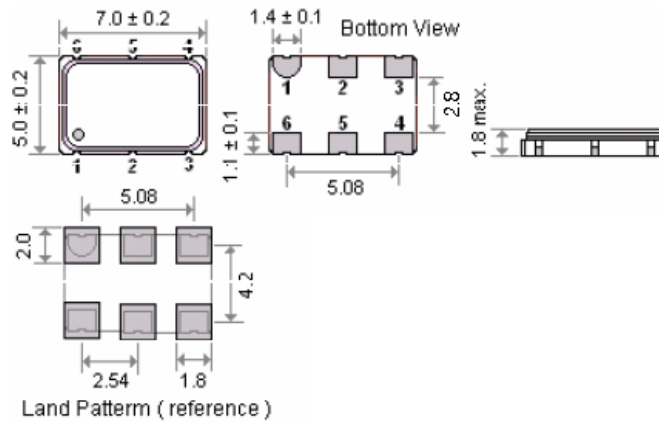
Parameters	Standard	Options
Frequency range	0.750 MHz - 800 MHz	
Logic output	LVDS	
Frequency stability		
Overall	+/- 50,0 ppm	+/-15 ppm best possible
Initial at 25°C	Please specify	
Temperature		
vs supply voltage change		
vs load change		
Aging first year		
Aging over Years		
Operating temperature	0° C ~ +70°C	-20°C ~ +70°C
		-40°C ~ +85°C
		Other on custom request
Storage temperature	-40°C ~ +85°C	-55°C ~ +125°C
Supply voltage	3,3 V +/-5%	
Current	80 mA max	
Load	50 ohm from each output	
Rise/fall time	1.5 ns max , depends on frequency	
Duty cycle	45/55	
Jitter (12kHz ~20,0 MHz)	4 ps RMS max.	0.5 ps RMS
Phase noise	Please specify (if required)	
Harmonics		
Sub-harmonics		
Linearity	± 10% max.	
Frequency tuning range	± 80 ppm to ± 200 ppm	Other on custom request
Pulling slope	Positive	
External control voltage	+ 1,65 VDC ±1,35 VDC	

SX7LV OSCILLATOR

Specifications

Parameters	Standard	Options
Start-up time	10 ms max.	
Tristate	Low or open = disable High = enable	no tristate
Marking	Freq + Code + Week +Year	
Package	SX7 6 pad	

Drawing



Pin configuration	#1: V control	Other on custom request
	#2 : E/D or NC	
	#3 : GND	
	#4 : Output	
	#5 : Complementary output	
	#6 : Vcc	