

SX7CL Low current OSCILLATOR



Specifications

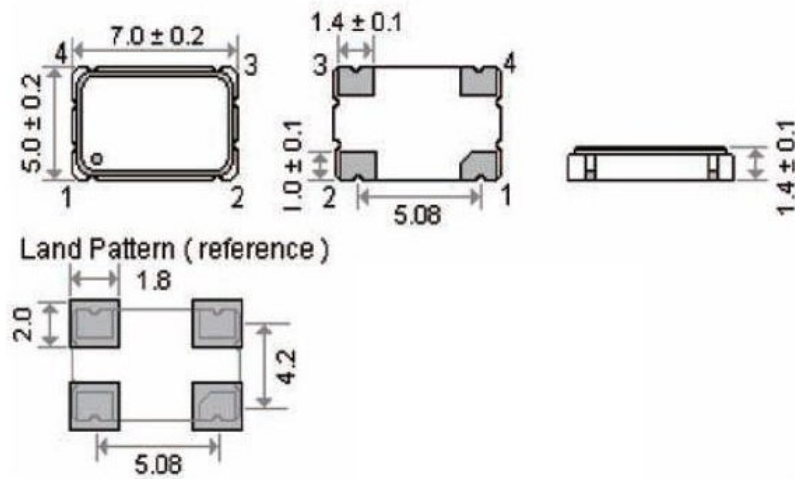
Parameters	Standard			Options
Frequency range	10.0 - 50.0 MHz			
Logic output	HCMOS			
Frequency stability				
Overall	+- 50,0 ppm		+-15 ppm best possible	
Initial at 25°C	Please specify			
Temperature				
vs supply voltage change				
vs load change				
Aging first year				
Operating temperature	0° C ~ +70°C			-20°C ~ +70°C
				-40°C ~ +85°C
				Other on custom request
Storage temperature	-55°C ~ +125°C			
Supply voltage	1.8V+-5%	2.5V+-5%	3,3V+-5%	
Current (examples)				
10.000 MHz	0.7 mA	1.0 mA	1.5 mA	
13.500 MHz	0.9 mA	1.3 mA	1.9 mA	
16.000 MHz	1.1 mA	1.6 mA	2.2 mA	
20.945 MHz	1.4 mA	1.9 mA	2.6 mA	
25.000 MHz	1.6 mA	2.2 mA	3.1 mA	
30.000 MHz	2.0 mA	2.8 mA	3.8 mA	
38.000 MHz	2.3 mA	3.3 mA	4.5 mA	
50.000 MHz	2.7 mA	4.0 mA	5.0 mA	
Load	15 pF			
Rise/fall time	4 ns typ			
Duty cycle	40/60 %			45/55 %

SX7CL Low current OSCILLATOR

Specifications

Parameters	Standard
Start-up time	10 ms max.
Tristate	High or open = enable Low = disable
Marking	Freq + Code + Week +Year
Package	SX7 4 pad

Drawing



Pin configuration	4 pad version	
	#1: E/D or NC	
	#2 : GND	
	#3 : Output	
	#4 : Vcc	