

SX5CV OSCILLATOR



Specifications

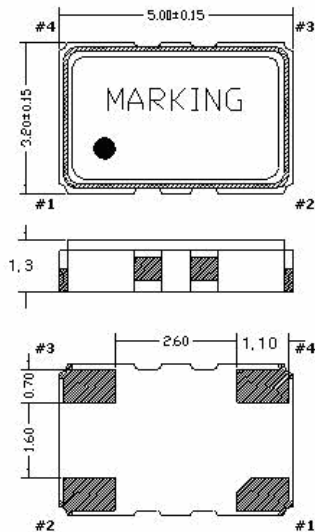
Parameters	Standard	Options	
Frequency range			
Logic output	HCMOS/TTL compatible	TTL only	
Frequency stability			
Overall	+/- 50,0 ppm	+/-15 ppm best possible	
Initial at 25°C	Please specify		
Temperature			
vs supply voltage change			
vs load change			
Aging first year			
Aging over Years			
Operating temperature	0° C ~ +70°C	-20°C ~ +70°C -40°C ~ +85°C Other on custom request	
Storage temperature	-40°C ~ +85°C	-55°C ~ +125°C	
Supply voltage	5,0 V ± 5% or 3,3 V ± 5%	1,8 V ; 2,5 V ; 2,8 V Other on custom request	
Current	Other		
0,625 MHz - 29,999 MHz			15 mA max.
30,000 MHz - 54,000 MHz			20 mA max
Load	15 pF	Other - dependent of logic output	
Rise/fall time	Other on custom request		
0,625 MHz - 29,999 MHz			10 ns max.
30,000 MHz - 54,000 MHz			6 ns max.
Duty cycle	40/60 %	45/55 % Other on custom request	
Phase noise	Please specify (if required)		
Harmonics			
Sub-harmonics			
Jitter			
Linearity	± 10% max.	Other on custom request	
Frequency tuning range	± 50 ppm - ± 100 ppm	Other on custom request	
Pulling slope	Positive	Other on custom request	
External control voltage	+ 1,65 VDC ±1,65 VDC (3,3V) +2,5 VDC ±2,5 VDC (5,0V)	Other	

SX5CV OSCILLATOR

Specifications

Parameters	Standard	Options
Start-up time	10 ms max.	Other on custom request
Tristate	no tristate	
Marking	Freq + Code + Week +Year	
Package	SX5 4 pad	

Drawing



Pin configuration

#1: Voltage control
#2 : GND
#3 : Output
#4 : Vcc