

# SP1P OSCILLATOR



## Specifications

Parameters	Standard	Options
Frequency range		
+3,3 Vcc	1,000 MHz - 100,000 MHz	
+5,0 Vcc	1,000 MHz - 133,000 MHz	
Logic output	HCMOS	TTL
Frequency stability		
Overall	+ - 50,0 ppm	+ -25 ppm best possible
Initial at 25°C	Please specify	
Temperature		
vs supply voltage change		
vs load change		
Aging first year		
Aging over .... Years		
Operating temperature	0° C ~ +70°C	-20°C ~ +70°C -40°C ~ +85°C
Storage temperature	-55°C ~ +125°C	
Supply voltage	5,0 V ± 5%	3,3 V ± 5% ( max. 100,000 MHz )
Current		
+ 5 Vcc	45 mA max.	
+ 3,3 Vcc	25 mA max.	
Load	15 pF	
Rise/fall time	3 ns max.	
Duty cycle		
< 66 MHz	45/55 %	
> 66 MHz	40/60 %	
RMS jitter		
< 33,000 MHz , 5 V	± 40 ps max.	
> 33,000 MHz , 3,3 V	± 30 ps max.	

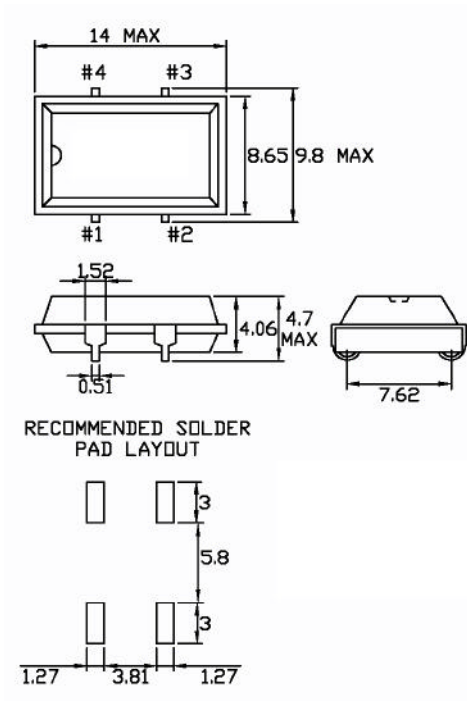
# SP1P OSCILLATOR

## Specifications

Parameters	Standard	Options
Start-up time	10 ms max.	
Tristate	enable/disable	
Marking	Freq + Code + Week + Year	

## Drawing

Package	SP1	
---------	-----	--



Pin configuration	#1: E/D	
	#2: GND	
	#3: Output	
	#4: Vcc	