

DLCT OSCILLATOR



Specifications

Parameters	Standard	Options
Frequency range	20.0 kHz - 50.0 kHz 1.25 Mhz - 800 Mhz	
Logic output	HCMOS	
Frequency stability		
Initial at 25°C	± 2.0 ppm	with internal trimmer ± 1.0 ppm
Temperature	± 3.0 ppm	± 0.5 ppm
vs supply voltage change	± 0.3 ppm	
vs load change	± 0.3 ppm	
Aging first year	± 1.0 ppm	
Operating temperature	0° C ~ +70°C	-20°C ~ +70°C
		-40°C ~ +85°C
		Other on custom request
Storage temperature	-40°C ~ +85°C	-55°C ~ +125°C
Supply voltage	3,3 V +5%	5,0 V ± 5%
		3.0 V ± 5% , 2.8 V ± 5%
Current	65 mA max , depends on frequency	
Load	15 pF	
Rise/fall time	10 ns max. , depends on frequency (1.2 ns higher frequencies)	
Duty cycle	45/55	Other on custom request
Phase noise	Please specify (if required)	
Harmonics		
Sub-harmonics		
Start-up time	5 ms typ.	
Frequency trimming range with externally adjustable trimmer		± 3 ppm min.
		Other
Marking	Freq + Code + Week +Year	

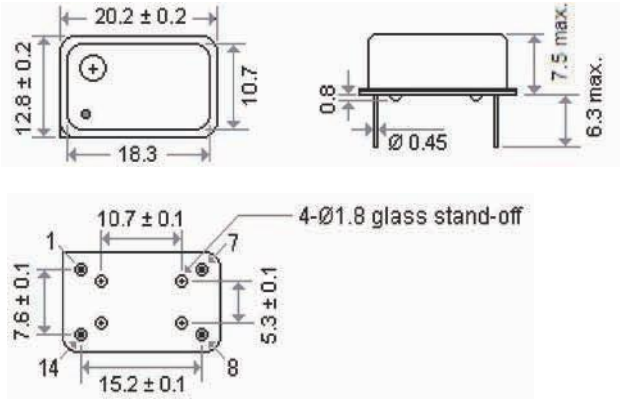
DLCT OSCILLATOR

Specifications

Voltage Control Options		
External control voltage	+ 1,50 VDC \pm 1,0 VDC	+2,5 VDC \pm 2,0 VDC (5,0V)
Linearity	\pm 10% max.	Other on custom request
Frequency tuning range	\pm 6 ppm min	Other on custom request
Pulling slope	Positive	Other on custom request

Drawing

Package	DIL14
---------	-------



Pin configuration	#1 : NC / Vco	
	#7 : GND	
	#8 : Output	
	#14 : Vcc	