

DLC OSCILLATOR



Specifications

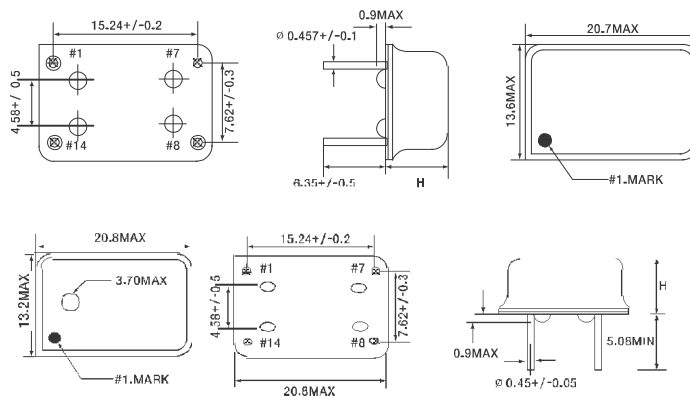
Parameters	Standard	Options
Frequency range	25,0 kHz - 160,000 MHz	
Logic output	HCMOS/TTL compatible	TTL only
Frequency stability		
Overall	+/- 50,0 ppm	+/-15 ppm best possible
Initial at 25°C	Please specify	
Temperature		
vs supply voltage change		
vs load change		
Aging first year		
Aging over Years		
Operating temperature	0° C ~ +70°C	-20°C ~ +70°C
		-40°C ~ +85°C
		Other on custom request
Storage temperature	-40°C ~ +85°C	-55°C ~ +125°C
Supply voltage	5,0 V ± 5% or 3,3 V +5%	1,8 V ; 2,5 V
		Other on custom request
Current		Other
25,00 kHz - 7,999 MHz	15 mA max.	
8,000 MHz - 29,999 MHz	20 mA max.	
30,000 MHz - 49,999 MHz	40 mA max.	
50,000 MHz - 79,999 MHz	60 mA max.	
80,000 MHz - 160,000 MHz	80 mA max.	
Load	15 pF	Other - dependent of logic output
Rise/fall time		Other on custom request
25,00 kHz - 7,999 MHz	10 ns max.	
8,000 MHz - 79,999 MHz	8 ns max.	
80,000 MHz -160,000 MHz	4 ns max.	
Duty cycle	40/60 %	45/55 %
		Other on custom request
Phase noise	Please specify (if required)	
Harmonics		
Sub-harmonics		
Jitter		

DLC OSCILLATOR

Specifications

Parameters	Standard	Options
Start-up time	10 ms max.	Other on custom request
Frequency trimming range with externally adjustable trimmer		± 3 ppm min.
		Other
Tristate	High or open = enable Low = disable	no tristate
Marking	Freq + Code + Week +Year	
Package	DIL14 DIL14-7 DIL14-9	DIL14 with hole DIL14-7 with hole DIL14-9 with hole

Drawing



Case	H
DIL14	5.08
DIL14-7	7.48
DIL14-9	9.0

Pin configuration	#1: E/D or NC	other pin configuration possible
	#7 : GND	
	#8 : Output	
	#14 : Vcc	