

A18ST OSCILLATOR



Specifications

Parameters	Standard	Options
Frequency range	9.600 MHz - 40,0 MHz	
Logic output	Clipped sinewave	
Frequency stability		
Initial at 25°C	± 1.0 ppm	
Temperature	± 3.0 ppm	± 1.0 ppm
vs supply voltage change	± 0.3 ppm	
vs load change	± 0.3 ppm	
Aging first year	± 1.0 ppm	
Operating temperature	0° C ~ +70°C	-20°C ~ +70°C
		-40°C ~ +85°C
		Other on custom request
Storage temperature	-40°C ~ +85°C	-55°C ~ +125°C
Supply voltage	3,3 V ± 5%	5,0 V ± 5%
		3.0 V ± 5% , 2.8 V ± 5%
Current	2,0 mA max	
Load	10 Kohm // 10 pF	Other on custom request
Phase noise	Please specify (if required)	
Harmonics		
Sub-harmonics		
Start-up time	10 ms max.	Other on custom request
Frequency trimming range with externally adjustable trimmer	± 3 ppm min.	other
Marking	Freq + Code + Week +Year	

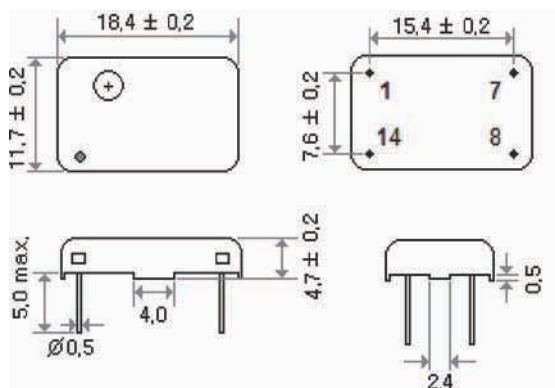
A18ST OSCILLATOR

Specifications

Voltage Control Options		
External control voltage	+ 1,50 VDC \pm 1,0 VDC +2,5 VDC \pm 2,0 VDC (5,0V)	Other on custom request
Linearity	\pm 10% max.	Other on custom request
Frequency tuning range	\pm 10 ppm	Other on custom request
Pulling slope	Positive	Other on custom request

Drawing

Package T183A with hole



Pin configuration

#1 : NC / Vco
#7 : GND
#8 : Output
#14 : Vcc