

UM1MJ - 52MJ CRYSTAL



Specifications

Parameters	Standard	Options
Frequency range	8,000 MHz - 250,000 MHz	Fundamental up to 160,000 MHz
Frequency stability	Please specify	
Overall		
Initial at 25°C		
Temperature		
Aging first year		
Aging over Years		
Operating temperature	0° C ~ +70°C	-20°C ~ +70°C -40°C ~ +85°C Other on custom request
Storage temperature	-40°C ~ +85°C	-55°C ~ +125°C
Load capacitance C _I	4 pF ~ 120 pF or serie	
Equivalent series resistance ESR	see ESR table	Other on request
Shunt capacity C _o	< 7 pF	Other
Aging	± 3 ppm /first year max.	Other on custom request
Insulation resistance	500 Mohms minimum at 100 VDC	
Drive level	10,0 to 1000 uW dependent of frequency	
Motional capacity C ₁	Please specify , if required	
Quality factor Q		
Co/C ₁		
Motional inductance L		
DFL (difference between 2 loadresonant frequencies)		
DLD (drive level dependency)		
Spurious		
Marking		

UM1MJ - 52MJ CRYSTAL

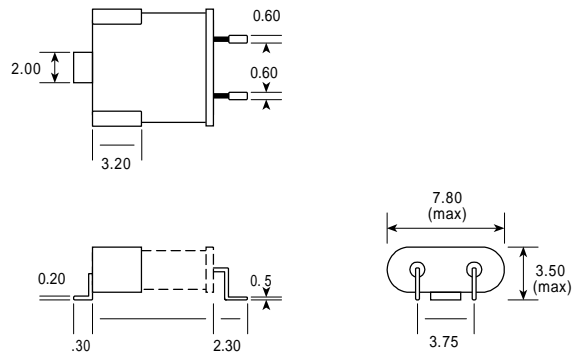
ESR table

Frequency range	Mode	ESR (ohms)
8,000 MHz - 15,999 MHz	Fund.	50 max.
16,000 MHz - 39,999 MHz	Fund.	40 max.
40,000 MHz - 79,999 MHz	High frequency fundamental	25 max.
80,000 MHz - 160,000 MHz	High frequency fundamental	30 max.

20,000 MHz - 29,999 MHz	3 rd	80 max.
30,000 MHz - 100,000 MHz	3 rd	70 max.
50,000 MHz - 59,999 MHz	5 th	120 max.
60,000 MHz - 89,999 MHz	5 th	100 max.
90,000 MHz - 160,000 MHz	5 th	90 max.
80,000 MHz - 179,999 MHz	7 th	160 max.
180,000 MHz - 250,000 MHz	7 th	190 max.

Drawing

Package	HC45/UM1 metal jacket	
	HC52 metal jacket	



HC45/UM1 metal jacket L = 8,0 mm

HC52 metal jacket L = 8,8 mm