

SPC1 OSCILLATOR



Specifications

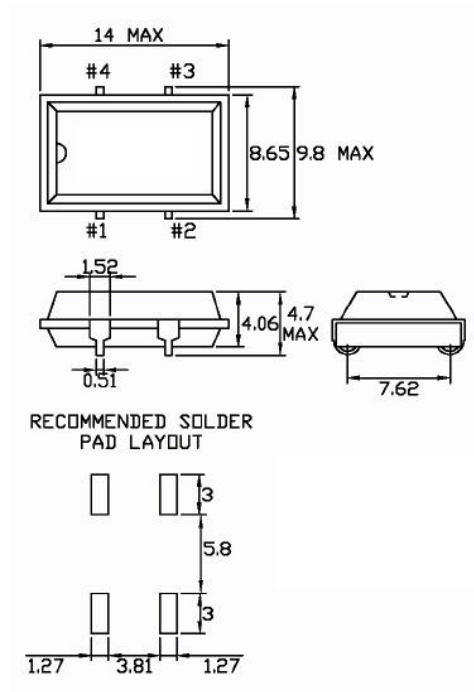
Parameters	Standard	Options
Frequency range	1,0 MHz - 125,000 MHz	
Logic output	HCMOS/TTL compatible	TTL only
Frequency stability		
Overall	+/- 50 ppm	+/-20 ppm best possible
Initial at 25°C	Please specify	
Temperature		
vs supply voltage change		
vs load change		
Aging first year		
Aging over Years		
Operating temperature	0° C ~ +70°C	-20°C ~ +70°C
		-40°C ~ +85°C
		Other on custom request
Storage temperature	-40°C ~ +85°C	-55°C ~ +125°C
Supply voltage	5,0 V ± 5% or 3,3 V +5%	Other on custom request
Current		
1,000 MHz - 7,999 MHz	15 mA max.	Other
8,000 MHz - 29,999 MHz	20 mA max.	
30,000 MHz - 49,999 MHz	40 mA max.	
50,000 MHz - 79,999 MHz	60 mA max.	
80,000 MHz - 125,000 MHz	80 mA max.	
Load	15 pF	Other - dependent of logic output
Rise/fall time		
1,00 MHz - 7,999 MHz	10 ns max.	Other on custom request
8,000 MHz - 79,999 MHz	8 ns max.	
80,000 MHz - 125,000 MHz	4 ns max.	
Duty cycle	40/60 %	45/55 %
		Other on custom request
Phase noise	Please specify (if required)	
Harmonics		
Sub-harmonics		
Jitter		
Start-up time	10 ms max.	Other on custom request
Tristate	High or open = enable Low = disable	no tristate
Marking	Freq + Code + Week +Year	

SPC1 OSCILLATOR

Specifications

Drawing

Package	SP1	
---------	-----	--



Pin configuration	4 pad version	
	#1: E/D or NC	
	#2 : GND	
	#3 : Output	
	#4 : Vcc	